

AP300 Bi-Fold
AP400 Lift & Slide

CONTEMPORARY
Architectural Window Systems



Beautiful, strong and **secure** doors that will enhance any property...

Are you seeking solutions for your new building project that offers more light, uninterrupted views and easy access to your outdoor spaces? Whether you're starting a new build, building an extension or making a few home improvements we can help you select an APS glazing system that is guaranteed to meet your expectations.

Our systems are designed to:

- Open up your home, integrating indoor living with outdoor space.
- Offer maximum durability, security and insulation without compromising on creativity, style and sophistication.
- Create sleek and elegant designs to showcase your home and your views, offering versatility that is designed to match your lifestyle.

Which system is right for me?

Bi-fold

Vertical glass segments offering multiple opening options. This can be partially open for ease of access or completely folded back, transforming your living space.

Lift & Slide

Large glass area with minimal vertical profiles giving uninterrupted views. Ease of operation with a sliding action, parallel to the fixed panel.

EFFICIENT
Architectural Glazing Systems



AP300 Bi-Fold Door

secure your lifestyle

Interested in inviting the outdoors in, making the most of natural light and amazing views. Our Bi-Fold door is the perfect option. This sleek, modern design saves on space without skimping on impact by utilising vertical folding glass segments. We have an option to suit all your needs whether it be for everyday use, ease of access, practical ventilation, or offering fully integrated indoor-outdoor living.

This lifestyle has become a highly desired addition to any home design project. Bi-fold doors simplicity and sleek style transform any design project, open up living or working spaces as a gateway to the great outdoors, and because the bi-fold doors can completely fold away they remove any barrier between your interior and outdoor spaces.

Alternatively, you can simply close off your space behind a sleek glass wall, enjoying high quality thermal insulation designed to perfectly regulate temperatures all year round and enjoy those beautiful, uninterrupted views from the comfort of your home.

Transform your life and your home and explore our bi-fold door options today.

Architectural Glazing Systems

AP300 Bi-Fold Door



AP300 Bi-Fold Door

How it works

- Multiple opening/layout options.
- Aluminium extruded profiles with sharp, crisp lines.
- 24mm polyamide high performance thermal barrier.
- Polyester Powder coated finish (PPC) to any RAL colour.
- Up to 1000mm wide door leaf, 2400mm max. height.
- Thermal U-value performance up to 1.4W/m2K.
- Glazing options 28mm to 44mm.
- Adjustable reveals to ensure high efficient installation on site.
- Less effort with smooth sliding operation.
- High strength rollers with stainless steel tracks.
- All metal mechanism for extended strength and longevity.
- Multi-point high security locking system.
- Lever handle operation internally with optional external handle.
- Intermediate locking points with keyed option.
- Magnetic hold open catch.
- White, Black or Satin Silver ironmongery.
- Tested to BS6375:PT1

SO LUTION

Architectural Glazing Systems

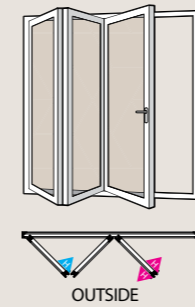
> AP300 Lift & Slide.

- Magnetic hold open catch
- Multi-frame locking points
- Adjustable reveals
- Stainless steel track
- Smooth operation rollers
- High performance thermal aluminium



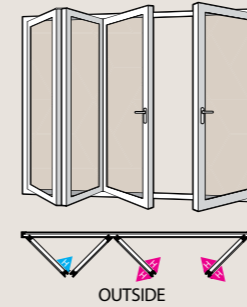
3 DOOR OPTIONS

3-3-0



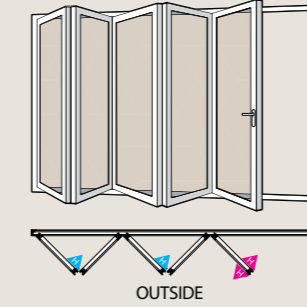
4 DOOR OPTIONS

4-3-1



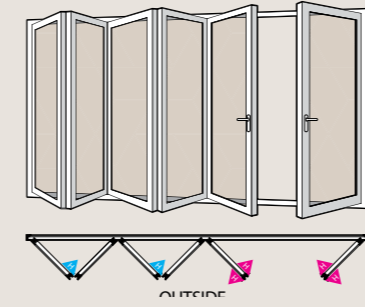
5 DOOR OPTIONS

5-5-0

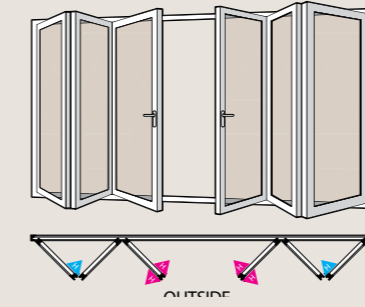


6 DOOR OPTIONS

6-5-1

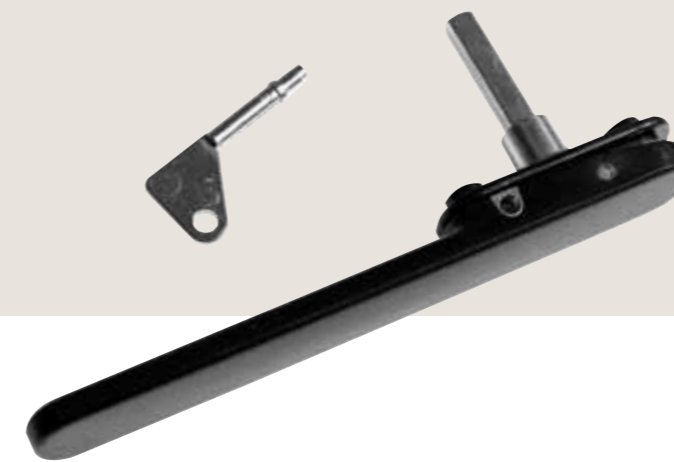


6-3-3



HANDLE RANGE

- Internal Handle Only
- Internal and External Door Handle Only



AP400 Lift & Slide Door

beautiful, elegant
and **secure**

The modern, sleek and highly popular 'Lift and Slide' door is a fantastic addition to any building design project.

Lift and Slide doors open parallel to a static panel frame offering maximum panoramic views available to your room. These doors create large, impactful gateways to the outdoors.

Our aluminium sliding doors offer seamless operation, providing slimline, robust and secure options that are fully customisable, with a wide range of finishes, colours and styles to suit your interior decor. The larger Lift and Slide doors are perfect for wider openings in new builds, extension and renovation projects, offering expert engineering, innovative design and increased natural light.

The doors have a sleek, stylish and highly durable aluminium design that achieves panoramic impact without compromising on security or energy efficiency, with each door designed to insulate for warm during the winter and cool in the summer, helping you to effectively manage energy efficiency within your home. Invite the outside in and discover your options with our striking 'lift & slide' doors.

Architectural Glazing Systems

AP400 Lift & Slide Door



AP400 Lift & Slide Door

How it works

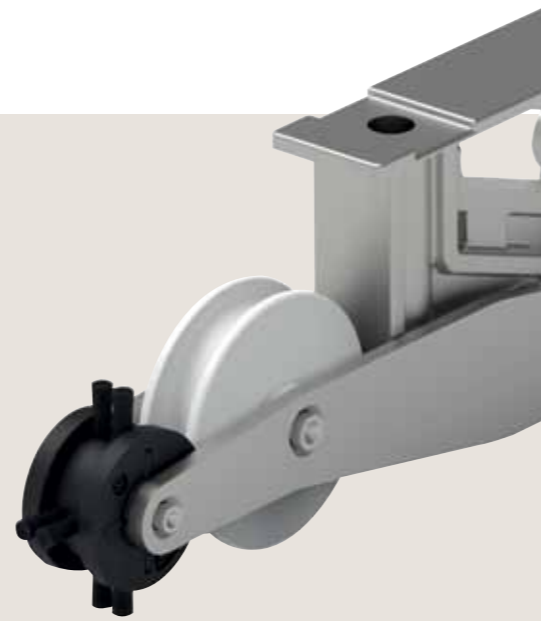
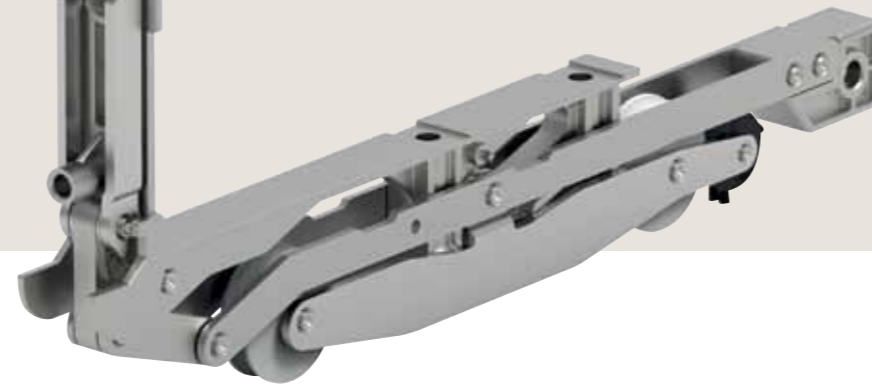
- Multiple opening/layout options.
- Aluminium extruded profiles with sharp, crisp lines.
- 24mm polyamide high performance thermal barrier.
- Polyester Powder coated finish (PPC) to any RAL colour.
- Thermal U-value performance up to 1.3W/m²K.
- Glazing options 28mm to 44mm.
- It will support configurations of up to 300kg per sash. With option for configurations up to 400kg.
- Sliding leaf max. 3300mm wide by 3000mm height.
- A totally vertical lifting mechanism.
- Less effort needed in lifting and sliding large doors.
- Bespoke reinforced resin wheels for near silent operation.
- Innovative rotational cleaning system synchronised by wheel movement.
- Zinc plated metallic operating system for additional corrosion resistance.
- All metal mechanism for extended strength and longevity.
- Multi-point high security locking system with optional night latch point for ventilation.
- Operating handle internally with optional external handle or finger grip.
- Tested to BS6375:PT1

SOLUTION
Architectural Glazing Systems

> AP400 Lift & Slide

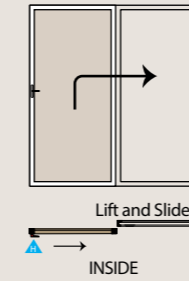
- Dynamic cleaning mechanism to prolong lifespan
- Multi frame locking points
- Balanced lifting technology to ease operational effort.
- Soft-lift damping
- High performance thermal aluminium

The strong long-lasting gear and Boggy wheel can lift and extreme weight of 400Kg, allowing for large opening doors. With a smooth, silent and effortless operation.

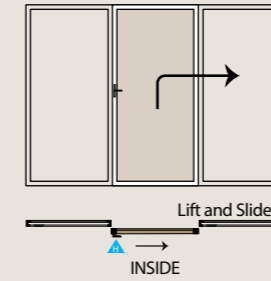


1 DOOR OPTION

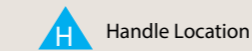
2 Pane - 1 Slide



3 Pane - 1 Slide



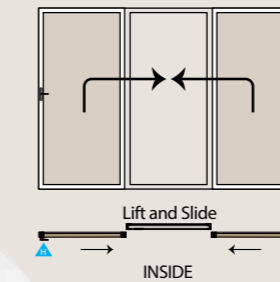
HANDLE RANGE



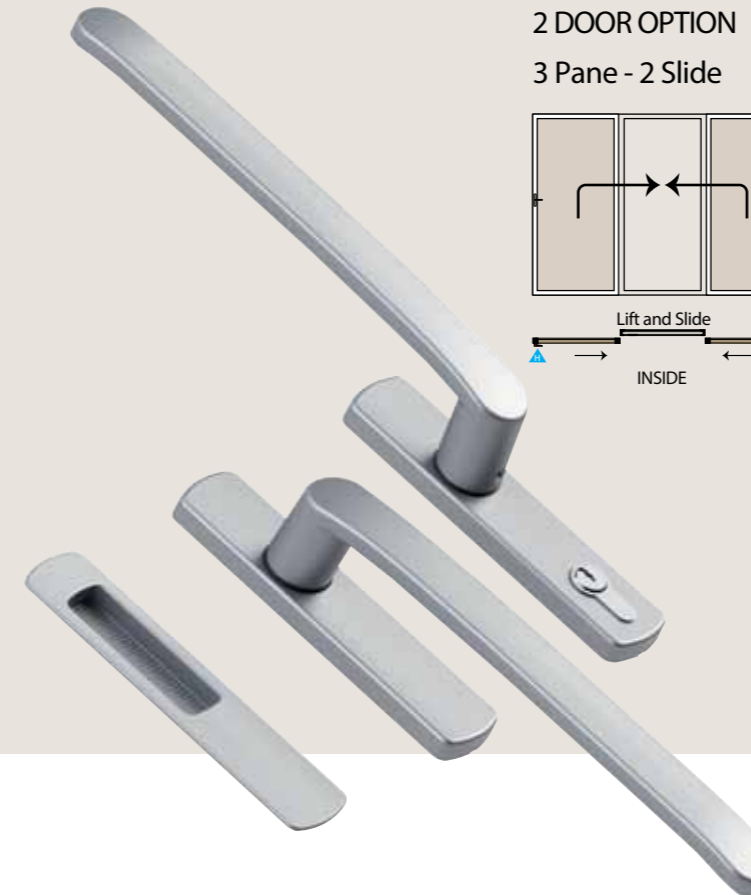
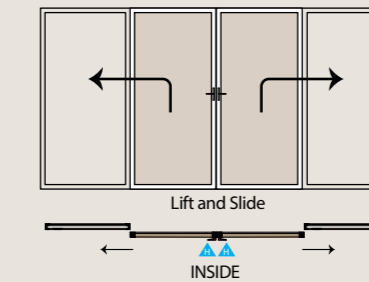
Handle Location

2 DOOR OPTION

3 Pane - 2 Slide



4 Pane - 2 Slide



- > Our systems are supplied in a choice of RAL colours. Providing the end user with the ultimate selection to enhance their design and investment.
- > The finish to the aluminium profile is a factory applied Polyester Powder Coated finish, known as PPC for short.
- > This will allow your doors to have amazing extended life and allowing you to enjoy your doors to the maximum, well into the future.

We care about the future...

APS takes its environmental responsibility seriously. We believe in reducing our impact and carbon foot print, which applies to our suppliers and our clients. We are accredited with ISO14001 and operate an environmental management system.

Material:

In terms of sustainability, aluminium is one of the best materials available. Its natural strength, lightness and durability makes it the ideal material for meeting architectural glazing requirements. For our own production, we use recyclable aluminium billet 100% of the time and all production waste is recycled. Our extrusions carry a life expectancy of 50 years. Significantly higher than other materials and of course, it's 100% recyclable.

The APS logo is rendered in a white, stylized, lowercase font. The letters are connected and have a modern, geometric feel. A small red dot is positioned below the letter 's'.