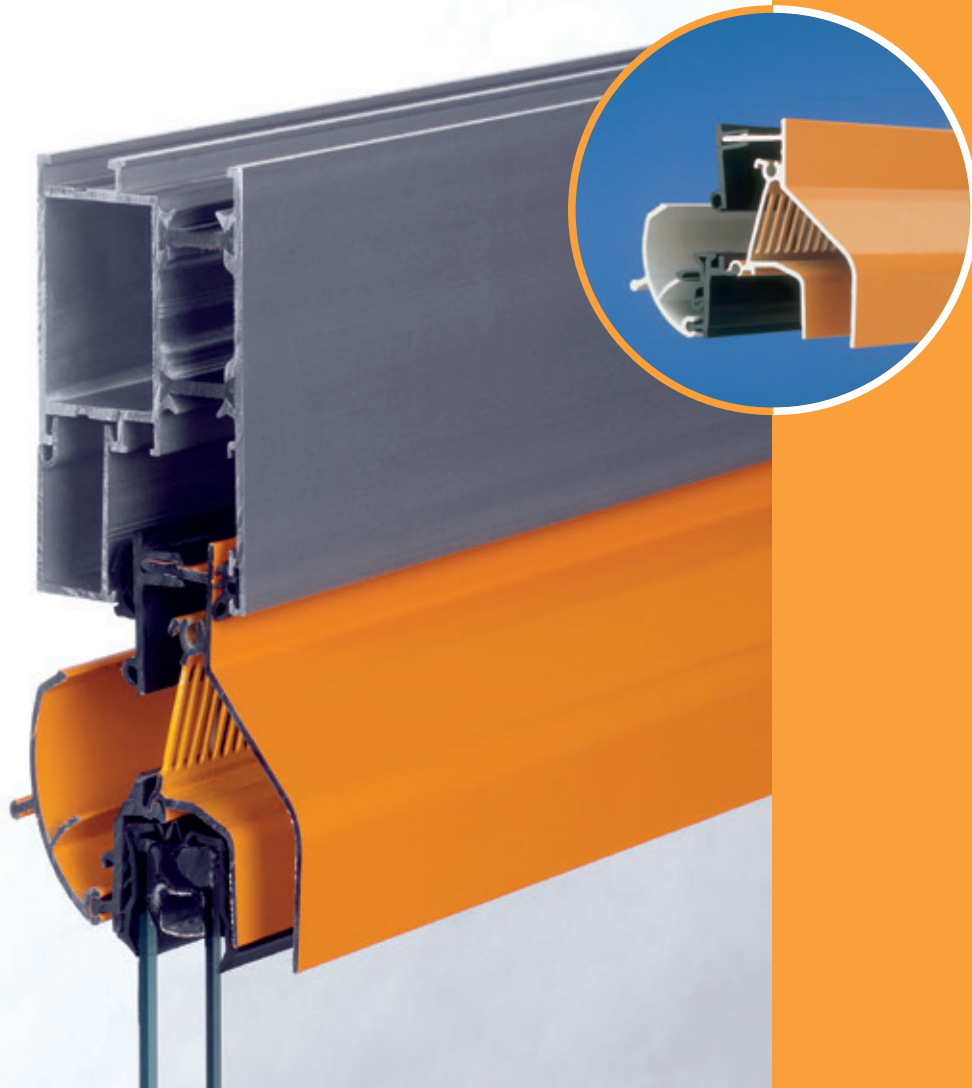


GLAZAIR



*Aluminium glazed-in ventilator suitable for PVC-U, timber or aluminium windows.
Optional stormclip for extreme weather conditions.*



GLAZAIR

Product description

Aluminium glazed-in ventilator suitable for PVC-U, timber or aluminium windows. The external canopy is punched to form an integral insect mesh. Excellent wind and water tightness.

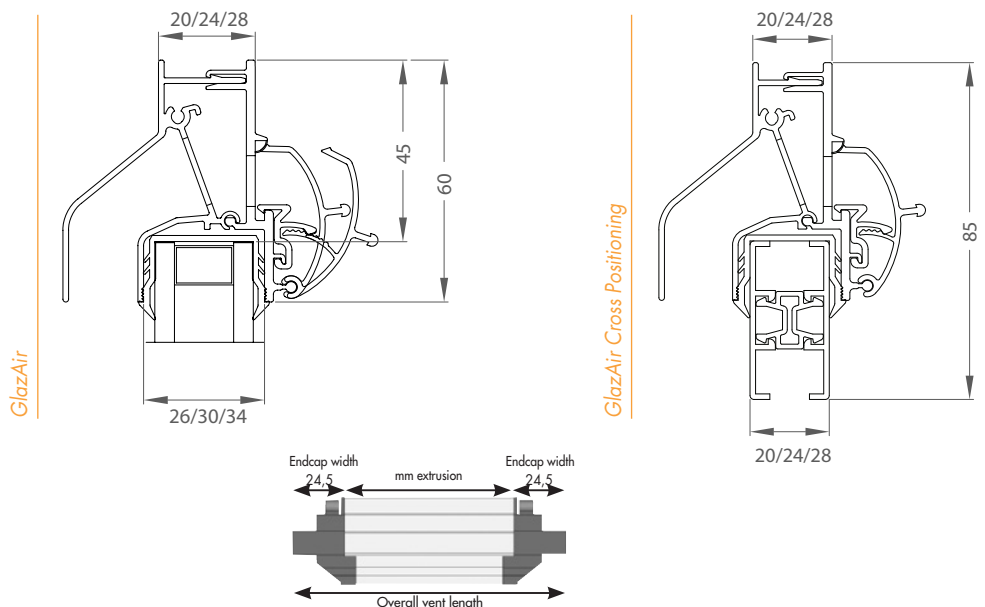
The GlazAir is available in 3 versions:

- **Controllable:** a graded operating mechanism provides control of the airflow.
- **Tricklevent:** to comply with building regulations the airflow can be adjusted manually but the ventilator cannot be closed completely.
- **Permanent:** to comply with the building regulations for fuel burning appliances all form of control mechanism has been restricted.

Technical information, drawings and specifications : on request or download from our site : www.aralco.be.

Performance	Glazair	
Equivalent Area in mm ² /m (cfr EN 13141-1)	5000	10414
mm extrusion	480	1000
Airflow at 1 Pa in dm ³ /s (cfr EN 13141-1)	3,9	8,2
Airflow at 2 Pa in m ² /h (cfr EN 13141-1)	19,9	41,4
Free Air in mm ²	5394	11237
Windproof and watertightness (cfr En 1027 & 2278)	Up to 650 Pa (150 m)	
Rigidity and strength	Highest class	
Free Air performance in mm ²	11237	
Wind and watertightness	Up to 650 Pa	
Dimensions	Upper glazing	Cross positioning
Glass reduction	45 mm	/
Built-in height	60 mm	85 mm
Glazing thickness	20, 24 and 28 mm	20, 24 and 28 mm
Rebate size	19 mm	19 mm
Sight line	40 mm	
Finishes		
Control	Lever, rod or cord	
Endcaps	Black or white	
Finishes	F1 silver anodised All RAL colours (also twin colour)	

Test report Ke.A1137.R03 from Dorsser



Aralco NVS
 Textielstraat 18a
 8790 Waregem (B)
 T +32 56 52 80 60
 F +32 56 52 80 65
 e-mail: info@aralco.be
 web: www.aralco.be

 **aralco**
 natural ventilation systems